

# BUTTERFLY VALVES

- TRIPLE OFFSET BUTTERFLY VALVES (TRB SERIES)
- DOUBLE ECCENTRIC BUTTERFLY VALVES (HPB SERIES)
- SINGLE ECCENTRIC BUTTERFLY VALVES (SEB SERIES)
- CONCENTRIC BUTTERFLY VALVES (COB SERIES)

# ECCENTRIC BUTTERFLY VALVE (WATER WORKS) (SEB SERIES)

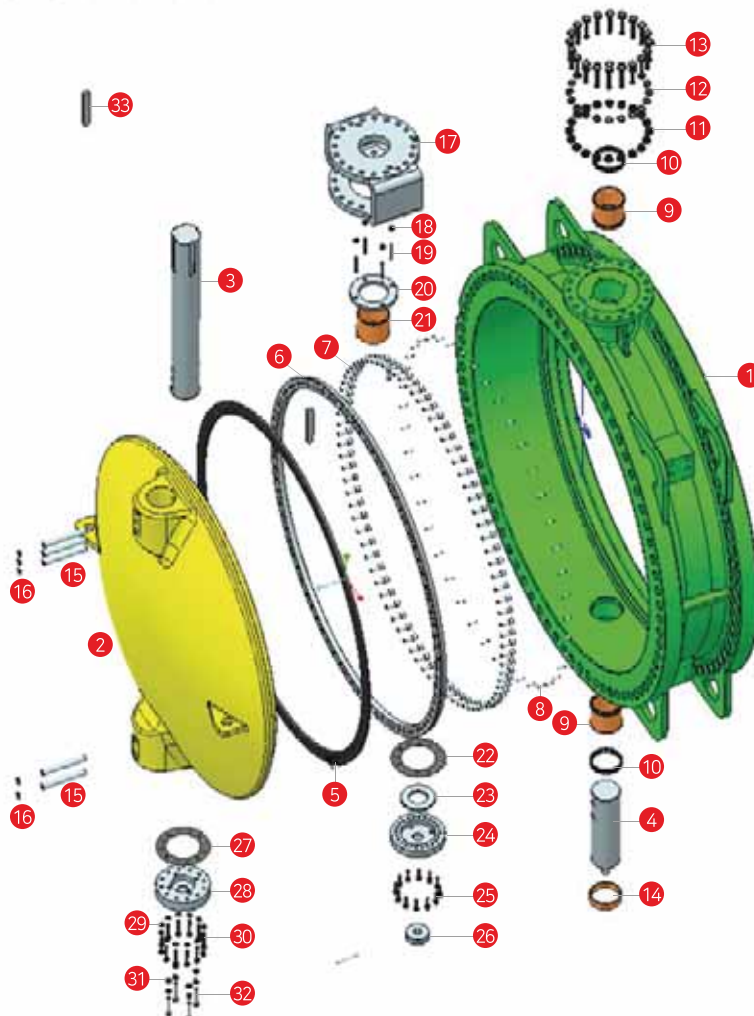


AWWA C 207 Class E PN16 3000A (120")

Range	Application	
Size	8"(200A) ~ 160"(4000A)	
Fluid	Water, Air, Steam, Gas	
Rating	JIS 10K, PN 10, ANSI 150# AWWA C 207	
End Connection	Wafer, Lugged, Flanged	
Temp. Range	-20 ~ 165 °C	
Materials	Body	Cast Iron, Ductile Iron, Cast Steel, Stainless Steel, (Ni) Al Bronze, (Super) Duplex S.S etc. (Rubber Lining)
	Disc	Cast Iron, Ductile Iron, Cast Steel, Stainless Steel, (Ni) Al Bronze, (Super) Duplex S.S etc. (Rubber Lining)
	Seat	Rubber (EPDM, NBR, SILICON etc.)

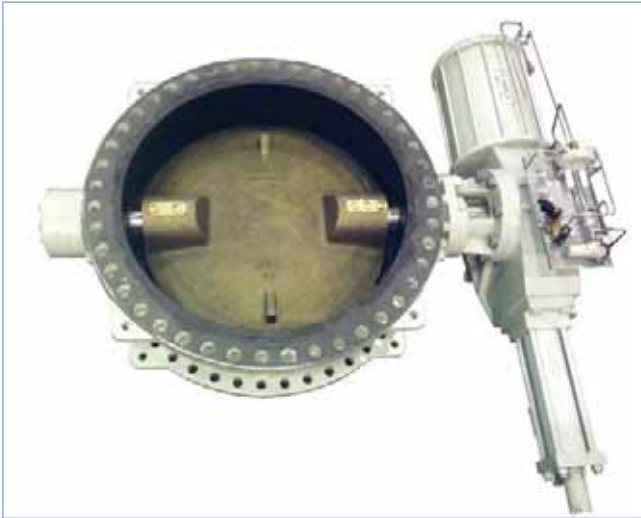
CONTRACTOR	TOMOE
PROJECT	GS TAKREER RUWAIS REFINERY EXPANSION PJT
END CUSTOMER	TAKREER IN UAE

## DKC DRAWING AND PART LIST OF ECCENTRIC (WATER WORK) BUTTERFLY VALVE



No.	Part Name
1	BODY
2	DISC
3	MAIN SHAFT
4	STUB SHAFT
5	DISC SEAT
6	RETAINER
7	SOKET HEAD BOLT
8	SET SCREW
9	BUSH
10	PACKING
11	HEX NUT
12	SPRING WASHER
13	HEX HEAD BOLT
14	GRAND BUSH
15	SHAFT PIN
16	SHAFT PIN CAP
17	BRACKET
18	HEX NUT
19	STUD BOLT
20	GRAND FLANGE
21	GRAND BUSH
22	END COVER GASKET
23	GLAND FLANGE
24	END COVER
25	SOCKET HEAD BOLT
26	THRUST BEARING
27	END COVER CAP GASKET
28	END COVER CAP
29	SPRING WASHER
30	HEX HEAD BOLT
31	PLANE WASHER
32	HEX HEAD BOLT
33	KEY

# ECCENTRIC BUTTERFLY VALVE (WATER WORKS) (SEB SERIES)



150# 1300A (52")

CONTRACTOR	DOOSAN HEAVY IND.
PROJECT	JEDDAH RO PJT
END CUSTOMER	SWCC IN SAUDI ARABIA



AWWA C207 CLASS.D 1800A (72")

CONTRACTOR	POSCO E&C
PROJECT	CAMPICHE PJT
END CUSTOMER	AES IN CHILE



150# / 2100A (84")

CONTRACTOR	DOOSAN HEAVY IND.
PROJECT	7 <sup>th</sup> , 8 <sup>th</sup> BORYEONG POWER PLANT PJT
END CUSTOMER	KOREA MIDLAND POWER CO., LTD. IN KOREA



150# 1800A (72")

CONTRACTOR	DW CONTROLS CO., LTD.
PROJECT	VENTANAS POWER PLANT PJT
END CUSTOMER	AES GENER IN CHILE

DKC CO., LTD.

BUTTERFLY VALVES

CHECK VALVE

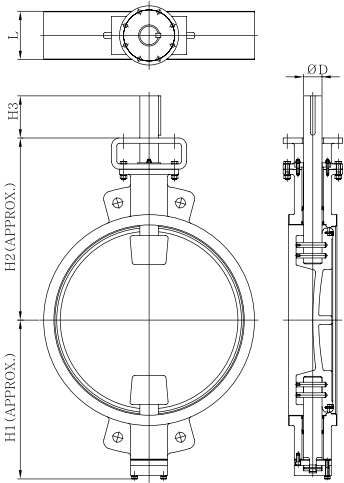
NON RETURN VALVE

SPECIAL VALVE

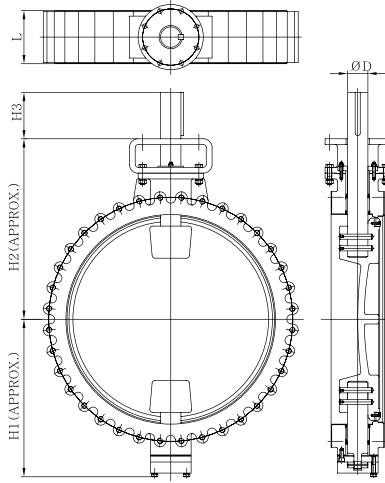


# DIMENSION TABLE FOR ECCENTRIC BUTTERFLY VALVE (SEB SERIES)

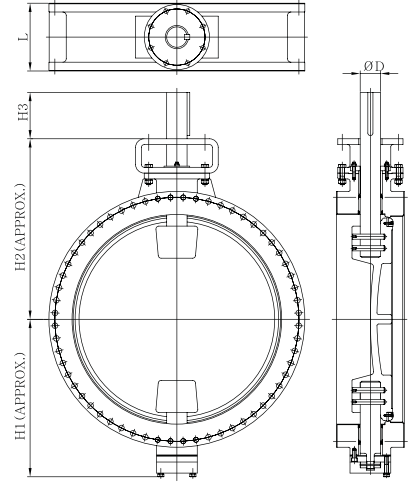
**Wafer**



**Lugged**



**Flanged**



Max. Size : 4000A (160")

Unit : mm

VALVE SIZE		H1	H2	H3	L			ØD	TOP	WEIGHT(kg) APPROX.
mm	inch	APPROX.	APPROX.		WAFER	LUGGED	FLANGE		FLANGE	
200	8	251	316	60	64	64	152	30	F10	35
250	10	271	336	60	71	71	165	35	F10	50
300	12	321	411	70	81	81	178	38	F14	80
350	14	347	477	70	92	92	190	45	F14	100
400	16	398	508	70	102	102	216	50	F14	150
450	18	418	528	85	114	114	222	55	F14	250
500	20	449	559	85	127	127	229	60	F14	300
550	22	475	645	85	154	154	229	65	F16	350
600	24	506	676	85	154	154	267	70	F16	450
650	26	535	705	85	165	165	229	75	F16	500
700	28	614	814	105	165	165	292	85	F25	600
750	30	642	842	105	165	165	305	90	F25	800
800	32	680	880	105	190	190	318	95	F25	1000
900	36	734	934	120	203	203	330	110	F30	1300
1000	40	845	995	130	216	216	410	110	F30	1550
1100	44	902	1087	150	240	240	410	120	F35	1700
1200	48	956	1141	150	254	254	470	130	F35	2000
1300	52	1013	1198	160			470	140	F35	2600
1350	54	1041	1226	180			530	150	F40	3000
1500	60	1177	1367	180			530	160	F40	4000
1650	66	1216	1456	200			600	180	F40	5500
1800	72	1300	1644	220			670	200	F48	7000
2100	84	1567	1812	250			760	220	F48	9000
2250	90	1653	1988	270			760	250	F60	12000
2400	96	1802	2137	280			760	260	F60	17000
3000	120	1980	2355	370			800	320	F60	25000

Weight : Based on Flanged Type

L : Face to Face Dimension

Analysis of Safety Distribution and Variation at Disc

\* Please contact sales office for other sizes.

